

KIT TE + HM 56 T4 0,75kW (A2:6) 32,5° (KTE56+26157362633P)

GENERAL DATA

AXIAL WITH FIBERGLASS COWL

MANUFACTURING FEATURES:

- Roof cowl made of reinforced fibreglass.
- Roof base support and bird protection guard with polyester powder coat finishing.
- Assembled on HM fans.(tubular)
- Variable pitch angle Polypropylene impeller (A2 profile) or polyamide impeller reinforced with fibreglass (other profiles).
- Squirrel cage asynchronous standard motor, IP-55 protection and rated class F insulation. Standard voltages 230V 50Hz for single phase motors, 230/400V 50Hz and for three phase motors up to 4kW and 400/690V 50Hz for higher powers.

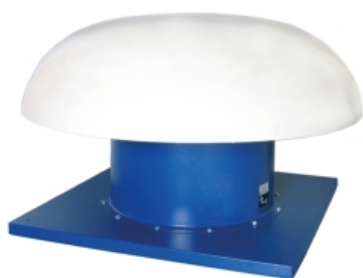
APPLICATIONS:

Specially designed for roof installation, they are suitable for:

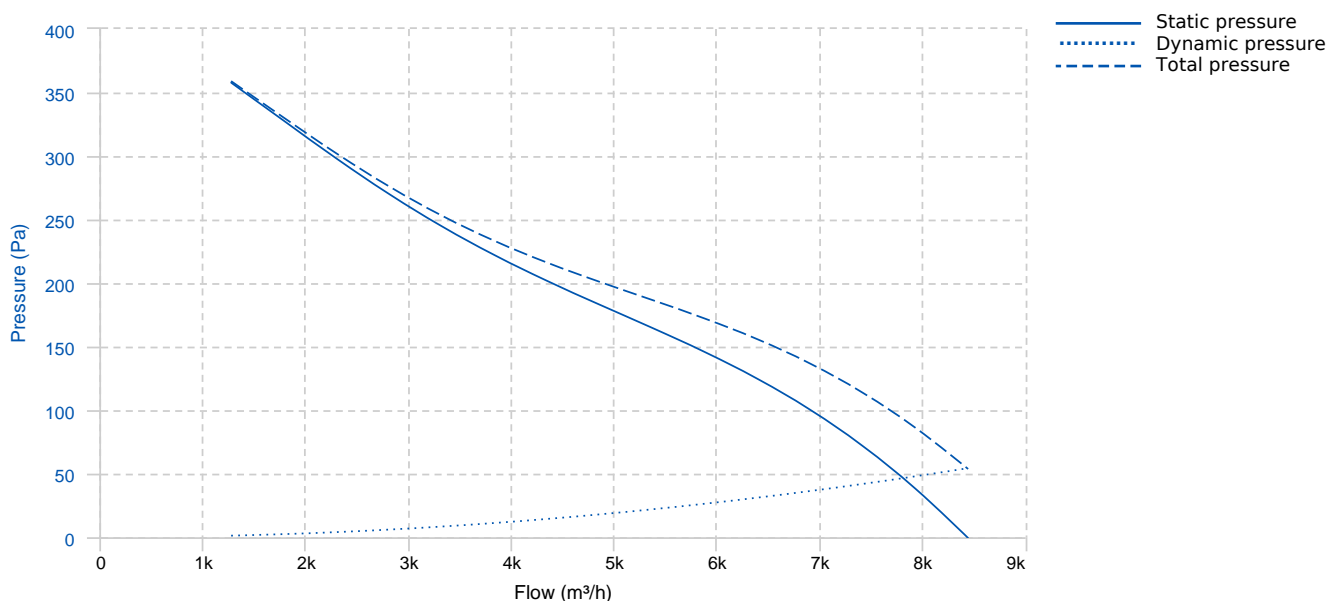
- Air renewal in buildings and industries.
- Smoke extraction.
- Maximum working temperature: 1ph 50°C, 3ph 60°C.

AVAILABLE ON REQUEST

- B form impeller (air flow from impeller to motor)
- Reversible impeller 100%
- Cast aluminium impellers.
- 60Hz fans and special voltages.
- 2 speed motors.
- Hot dip galvanised and stainless steel housings.
- Galvanised steel sheet cowl.



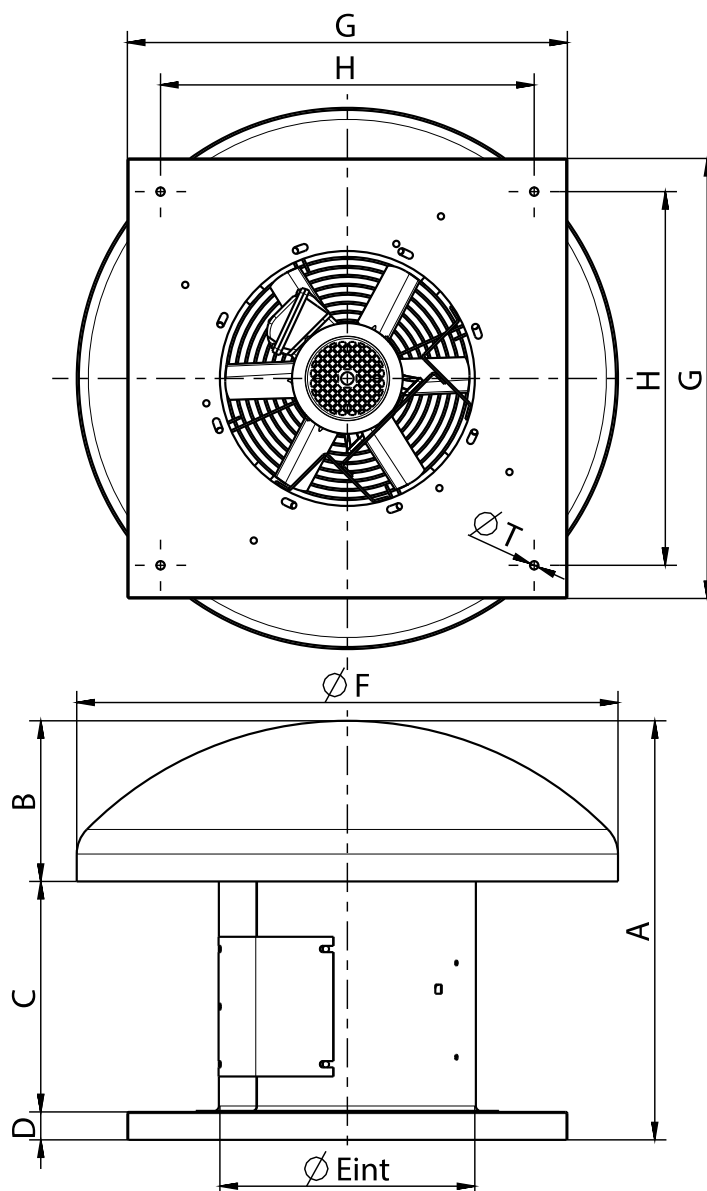
PERFORMANCE CURVE



TECHNICAL DATA

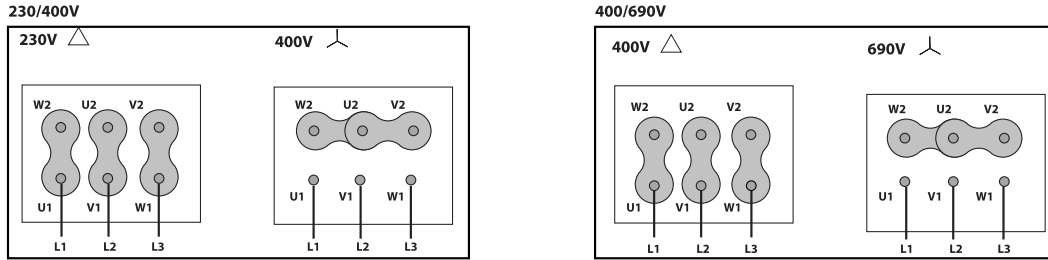
Fan							
RPM	1410	Approx. weight	36 kg	Max. Flow	8440 m ³ /h		
Motor							
Power	0,75 kW	RPM	1410	I max. (230V)	2,83 A	I max. (400V)	1,63 A
Size	80	Approx. weight	15 kg	Efficiency (%)	82.5 %	FP	0.81

DIMENSIONS



Dimensions (mm)									
A	878	B	290	C	538	D	50	E	559
F	1080	G	905	H	750	T	14		

WIRING DIAGRAM



ACCESSORIES